



Supply Pumps

With NXT™ Technology



Setting a New Industry Standard!

- Provides material tracking, system diagnostics and runaway control with DataTrak™, the market's first integrated local monitoring system
- Positive displacement, 2-ball piston designs for uniform and easily controlled delivery
- Easily handles a broad range of paints and coatings
- Designed for improved serviceability with fewer parts, faster repairs and lower cost of ownership

PROVEN QUALITY. LEADING TECHNOLOGY.

Graco's High Performance Pumps



Your choice is clear.

When you buy a Graco pump, you get the precise pressure and output you need for all of your finishing applications.

Long Lasting Durability

Graco's durable, 2-ball piston pumps have survived the test of time. Our President air motor is long lasting and provides constant fluid flow and pressure with minimal pulsation.

Standard UHMWPE packings extend the pump life in abrasive applications and Chromex™ coated rods and chrome coated cylinders resist wear and corrosion on parts. Graco's superior pump technology delivers high performance and trouble-free reliability.

Noise Reduction

The quiet, low-noise NXT air motor operates around 87 dBA, while other comparable motors operate up to 103 dBA.

Easy Maintenance

Graco air motors are designed with modular components so that no special tools are needed for assembly and repair.

NXT Air Motor Features

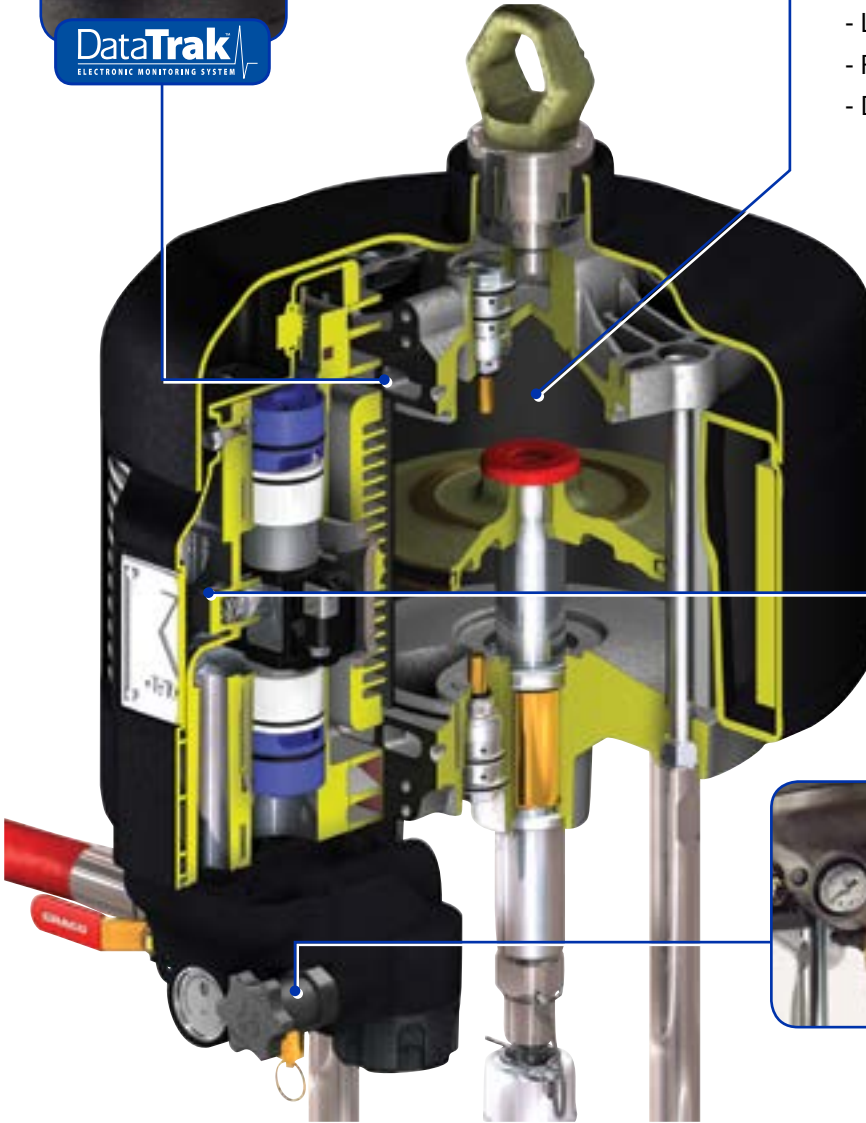


Optional DataTrak™ Control

- Runaway protection
- Pump diagnostics
- Material usage

NXT Air Motor

- Modular design for easier maintenance
- Rugged body armor won't rust or dent
- Highest technology air motor on the market
- Three exhaust styles available
 - Low noise
 - Remote
 - De-Icing



Modular Air Valve

- De-icing controls standard
- Up to 50% quieter than previous models
- Modular air valve
 - Reduces stalling
 - Easy-to-repair



Optional Integrated Air Controls

- Lockable easy-turn regulator
- Front-mounted for convenient access
- Compact and modular
- Built-in filtration

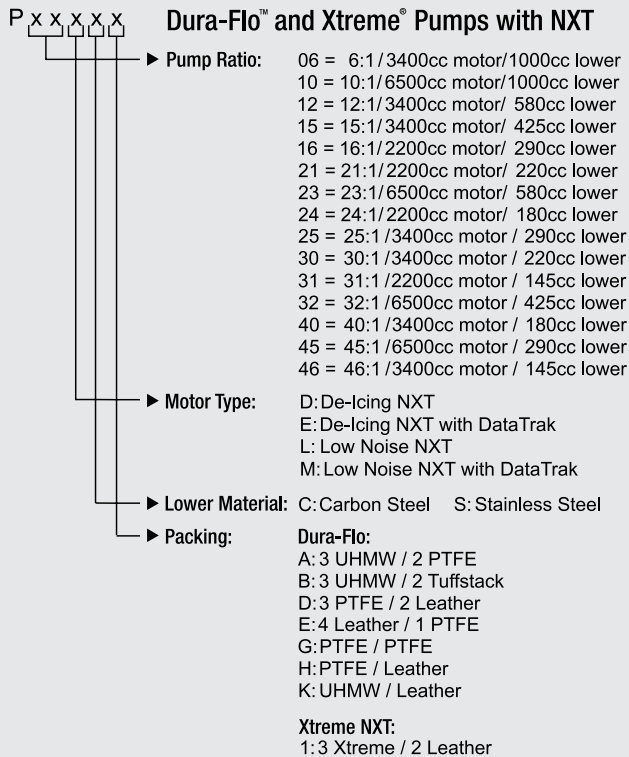
NXT Technology

Built to handle the toughest finishing applications, the NXT air motor provides easy access to its integrated air controls and de-icing feature, plus it reduces noise.



Use the Smart Number Ordering System

The six-digit Smart Numbering System can help you order quickly and accurately. Simply follow the diagram for the part you want and build your order.



Accessories

Mounting Accessories

- 255143 Wall mount bracket kit
- 253692 Floor stand
- 218742 Floor stand (High-Flo Plus)
- 247312 Wall mount and floor stand adapter for 2200 motor
- 287884* Heavy duty cart
- 287919* Light duty cart
- 289279 Cart adapter kit

Pump Accessories

- NXT011 Integrated air control
- NXT031 Integrated air control (for JX60XX pumps)
- 261721 Wet cup booster cup (for mid-range High-Flo pumps)
- NXT206 DataTrak upgrade kit for the NXT 2200
- NXT306 DataTrak upgrade kit for the NXT 3400
- NXT606 DataTrak upgrade kit for the NXT 6500

Suction Kits

- 247472 For 1.25 in (m) 5 gallon CS suction kit
- 247473 For 1.25 in (m) 55 gallon CS suction kit
- 247475 For 1.5 in (f) 5 gallon SST suction kit
- 247476 For 1.5 in (f) 55 gallon SST suction kit
- 247477 For 2 in (f) 5 gallon SST suction kit
- 247478 For 2 in (f) 55 gallon SST suction kit

Fluid Filter Kits

- 247479 For .75 in (f) SST fluid filter kit
- 247480 For 1 in (f) SST fluid filter kit
- 247474 Aluminum fluid filter kit

*Please contact customer service for questions or assistance choosing the correct cart adapter kit for your pump.

Dura-Flo™ and Xtreme®

| | 6:1 | 10:1 | 12:1 | |
|----------------------------|--|-------------------|-------------------|-------------------|
| PUMP SPECIFICATIONS | Output per cycle | 1000 cc | 1000 cc | 580 cc |
| | Motor Size | NXT 3400 | NXT 6500 | NXT 3400 |
| | Maximum Working Pressure psi (bar, MPa) | 620 (43, 4.3) | 1190 (82, 8.2) | 1190 (82, 8.2) |
| | Maximum Air Input Pressure psi (bar, MPa) | 100 (7, 0.7) | 100 (7, 0.7) | 100 (7, 0.7) |
| | Output at 60 CPM gpm (lpm) | 17.4 (65.8) | 17.4 (65.8) | 9.2 (34.8) |
| INLET/ OUTLET | CS Pump Inlet Size | 2" npt (f) | 2" npt (f) | 2" npt (f) |
| | CS Pump Outlet Size | 1 1/2" npt (f) | 1 1/2" npt (f) | 1 1/2" npt (f) |
| | SST Pump Inlet Size | 2" npt (f) | n/a | 2" npt (f) |
| | SST Pump Outlet Size | 1" npt (f) | n/a | 1 1/2" npt (m) |
| MANUALS | CS Pump Manual | 311833 | 311833 | 311826 |
| | SST Pump Manual | 311833 | n/a | 311826 |
| | CS Lower Manual | 311717 | 311717 | 311825 |
| | SST Lower Manual | 311716 | n/a | 311825 |
| | Motor Manual | 311238 | 311238 | 311238 |

| | MOTOR TYPE | DATATRAK INCLUDED | PACKINGS | 6:1 | 10:1 | 12:1 |
|--------------------------|---------------|----------------------|----------|--------|--------|--------|
| CARBON STEEL | D | | 1 | | | |
| | D | | D | | | P12DCD |
| | D | | K | P06DCK | P10DCK | |
| | E | Yes | 1 | | | |
| | E | Yes | D | | | P12ECD |
| | E | Yes | K | P06ECK | P10ECK | |
| | L | | 1 | | | |
| | L | | D | | | P12LCD |
| | L | | K | P06LCK | P10LCK | |
| | M | Yes | 1 | | | |
| PUMP CONSTRUCTION | M | Yes | D | | | P12MCD |
| | M | Yes | K | P06MCK | P10MCK | |
| | D | | A | | | P12DSA |
| | D | | B | | | |
| | D | | E | | | |
| | D | | G | P06DSG | | |
| | E | Yes | A | | | P12ESA |
| | E | Yes | B | | | |
| | E | Yes | E | | | |
| | E | Yes | G | P06ESG | | |
| STAINLESS STEEL | E | Yes | H | | | |
| | L | | A | | | P12LSA |
| | L | | B | | | |
| | L | | E | | | |
| | L | | G | P06LSG | | |
| | L | | H | | | |
| | M | Yes | A | | | P12MSA |
| | M | Yes | B | | | |
| | M | Yes | E | | | |
| | M | Yes | G | P06MSG | | |
| M | Yes | H | | | | |

| 15:1 | 16:1 | 21:1 | 23:1 | 24:1 | 25:1 | 30:1 | 31:1 | 32:1 | 40:1 | 45:1 | 46:1 |
|---------------------|---------------------|---------------------|---------------------|---------------------|---------------------|---------------------|---------------------|---------------------|---------------------|---------------------|---------------------|
| 430 cc | 290 cc | 220 cc | 580 cc | 180 cc | 290 cc | 220 cc | 145 cc | 425 cc | 180 cc | 290 cc | 145 cc |
| NXT 3400 | NXT 2200 | NXT 2200 | NXT 6500 | NXT 2200 | NXT 3400 | NXT 3400 | NXT 2200 | NXT 6500 | NXT 3400 | NXT 6500 | NXT 3400 |
| 1580 (109, 10.9) | 1520 (105, 10.5) | 2030 (140, 14.0) | 2270 (156, 15.6) | 2430 (167, 16.7) | 2380 (164, 16.4) | 3170 (218, 21.8) | 3040 (209, 20.9) | 3030 (209, 20.9) | 3800 (262, 26.2) | 4550 (313, 13.3) | 4750 (327, 32.7) |
| 100 (7, 0.7) | 100 (7, 0.7) | 100 (7, 0.7) | 100 (7, 0.7) | 100 (7, 0.7) | 100 (7, 0.7) | 100 (7, 0.7) | 100 (7, 0.7) | 100 (7, 0.7) | 100 (7, 0.7) | 100 (7, 0.7) | 100 (7, 0.7) |
| 6.9 (26.1) | 4.6 (17.5) | 3.4 (12.9) | 9.2 (34.8) | 2.9 (11.0) | 4.6 (17.5) | 3.4 (12.9) | 2.3 (8.8) | 6.9 (26.1) | 2.9 (11.0) | 4.6 (17.5) | 2.3 (8.8) |
| 2" npt (f) | 1 1/4" npt(m) | 1 1/4" npt(m) | 2" npt (f) | 1 1/4" npt(m) | 1 1/4" npt(m) | 1 1/4" npt(m) | 1 1/4" npt(m) | 2" npt (f) | n/a | n/a | n/a |
| 1 1/2" npt (f) | 1" npt (f) | 1" npt (f) | 1 1/2" npt (f) | 3/4" npt (f) | 1" npt (f) | 1" npt (f) | 3/4" npt (f) | 1 1/2" npt (f) | n/a | n/a | n/a |
| 2" npt (f) | 2" npt (f) | 2" npt (f) | 2" npt (f) | 1 1/2" npt (f) | 2" npt (f) | 2" npt (f) | 1 1/2" npt (f) | 2" npt (f) | 1 1/2" npt (f) | 2" npt (f) | 1 1/2" npt (f) |
| 1 1/2" npt (m) | 1" npt (f) | 1" npt (f) | 1 1/2" npt (m) | 3/4" npt (f) | 1" npt (f) | 1" npt (f) | 3/4" npt (f) | 1 1/2" npt (m) | 3/4" npt (f) | 1" npt (f) | 3/4" npt (f) |
| 311826 | 311164 | 311164 | 311826 | 311164 | 311164 | 311164 | 311164 | 311826 | n/a | n/a | n/a |
| 311826 | 311828 | 311828 | 311826 | 311828 | 311828 | 311828 | 311828 | 311826 | 311828 | 311828 | 311828 |
| 311825 | 311762 | 311762 | 311825 | 311762 | 311762 | 311762 | 311762 | 311825 | n/a | n/a | n/a |
| 311825 | 311827 | 311827 | 311825 | 311827 | 311827 | 311827 | 311827 | 311825 | 311827 | 311827 | 311827 |
| 311238 | 311238 | 311238 | 311238 | 311238 | 311238 | 311238 | 311238 | 311238 | 311238 | 311238 | 311238 |

| 15:1 | 16:1 | 21:1 | 23:1 | 24:1 | 25:1 | 30:1 | 31:1 | 32:1 | 40:1 | 45:1 | 46:1 |
|--------|--------|--------|--------|--------|--------|--------|--------|---------|--------|--------|--------|
| | P16DC1 | P21DC1 | | P24DC1 | P25DC1 | P30DC1 | P31DC1 | | | | |
| P15DCD | | | P23DCD | | | | | P32DCD | | | |
| | P16EC1 | P21EC1 | | P24EC1 | P25EC1 | P30EC1 | P31EC1 | | | | |
| P15ECD | | | P23ECD | | | | | P32ECD | | | |
| | P16LC1 | P21LC1 | | P24LC1 | P25LC1 | P30LC1 | P31LC1 | | | | |
| P15LCD | | | P23LCD | | | | | P32LCD | | | |
| | P16MC1 | P21MC1 | | P24MC1 | P25MC1 | P30MC1 | P31MC1 | | | | |
| P15MCD | | | P23MCD | | | | | P32MCD | | | |
| | | | P23DSA | | | | | | | | |
| P15DSB | | | | | | | | P32DSB | | | |
| | P16DSE | P21DSE | | P24DSE | P25DSE | P30DSE | | | P40DSE | P45DSE | |
| | | | | | | | P31DSH | | | | P46DSH |
| | | | P23ESA | | | | | | | | |
| P15ESB | | | | | | | | P32ESB | | | |
| | P16ESE | P21ESE | | P24ESE | P25ESE | P30ESE | | | P40ESE | P45ESE | |
| | | | | | | | P31ESH | | | | P46ESH |
| | | | P23LSA | | | | | | | | |
| P15LSB | | | | | | | | P32LSB | | | |
| | P16LSE | P21LSE | | P24LSE | P25LSE | P30LSE | | | P40LSE | P45LSE | |
| | | | | | | | P31LSH | | | | P46LSH |
| | | | P23MSA | | | | | | | | |
| P15MSB | | | | | | | | P32MSBI | | | |
| | P16MSE | P21MSE | | P24MSE | P25MSE | P30MSE | | | P40MSE | P45MSE | |
| | | | | | | | P31MSH | | | | P46MSH |

President®

Pneumatic 2-Ball Piston Pumps



President/Monark Features and Benefits

- Reliable, low maintenance air motor
- Positive displacement, 2-ball piston design provides uniform and easily controlled delivery
- Stainless steel or carbon steel models available to handle various fluids
- Drum and stubby length models available for mounting and application flexibility

Technical Specifications and Ordering Information

| Model | | 3:1 | 4:1 | 10:1 | 15:1 | 30:1 | 46:1 |
|---------------------|---|--------------------------------------|---------------|--|------------------|--|------------------|
| PUMP SPECIFICATIONS | Output per cycle | 630 cc | 500 cc | 189 cc | 112 cc | 62 cc | 36 cc |
| | Maximum working pressure psi (bar, MPa) | 360 (25, 2.5) | 400 (28, 2.8) | 1800 (124, 12.4) | 1800 (124, 12.4) | 3600 (250, 25) | 4600 (317, 31.7) |
| | Maximum air input pressure psi (bar, MPa) | 120 (8, 0.8) | 100 (7, 0.7) | 180 (12, 1.2) | 120 (8, 0.8) | 120 (8, 0.8) | 100 (7, 0.7) |
| | Output at 60 CPM gpm (lpm) | 10 (37.8) | 8 (30.2) | 3 (11.3) | 1.8 (6.8) | 1 (3.8) | 0.55 (2.1) |
| INLET/OUTLET | Pump inlet size | 1-1/2 npt(f) | 1-1/2 npt(f) | Stubby: 3/4 npt(f) Drum: No intake thread | 3/4 npt(m) | 316 SST: 3/4 npt(f) Other Models: 3/4 npt(m) | 3/4 npt(m) |
| | Pump outlet size | Stubby: 3/4 npt(m) Drum: 1 npt(f) | 1 npt(f) | Models 239326, 224347, 224348: 3/4 npt(f) Models 224342, 224348: 1/2 npt(f) | 1-1/2 npt(f) | 316 SST: 1/4 npt(f) Other Models: 3/8 npt(f) | 3/8 npt(f) |
| MANUALS | Pump manual assembly | 307674 | 307986 | 308116 (Model 224342) 308117 (Models 224346, 224347) 308118 (SST Drum Pumps) 308738 (CS Drum Pumps) | 306936 | 306769 (316 SST model) 308106 (304 SST model) 306981 (CS models) | 307619 |

| Type | | Seals | 3:1 | 4:1 | 10:1 | 15:1 | 30:1 | 46:1 |
|-------------------|--------------------|---------------------|--------------------|--------|--------|--------|--------|--------|
| PUMP CONSTRUCTION | CARBON STEEL | Stubby | 4 Leather/1 PTFE | 237142 | | | | |
| | | Stubby | 3 Leather/ 2 PTFE | 237143 | | | | |
| | | Stubby | 3 UHMWPE/2 Leather | | 223184 | | | |
| | | Stubby | PTFE/Leather | | | | 217580 | 223586 |
| | | Drum | 4 Leather/1 PTFE | 237144 | | | | |
| | | Drum | 3 UHMWPE/2 Leather | 218795 | 223183 | | | |
| | | Drum | PTFE | | | 239326 | | |
| | | Drum | PTFE/Leather | | | | | 221075 |
| | STAINLESS STEEL | Stubby | 3 UHMWPE/2 Leather | 218747 | | | | |
| | | Stubby | 5 PTFE | 237146 | | | | |
| | | Stubby | UHMWPE/PTFE | | | 224342 | | |
| | | Stubby | UHMWPE/Neoprene | | | 224346 | | |
| | | Stubby w/Riser Tube | UHMWPE/Neoprene | | | 224347 | | |
| | | Stubby 304 SST | PTFE/Leather | | | | | 223843 |
| Drum | 3 UHMWPE/2 Leather | 218795 | | | | | | |
| Drum | 5 PTFE | 237145 | | | | | | |
| Drum | UHMWPE/PTFE | | | 224348 | | | | |

Additional Lower Displacement Pumps

| Lower Displacement | | Standard Seal Repair | | Standard Displacement Rod | | Sleeve Housing | |
|--------------------|-------|----------------------|----------------------|---------------------------|--------|----------------|--------|
| Pump | Mat'l | Kit | Const. | Rod | Const. | Housing | Const. |
| 223595 | CS | 239328 | 4 Leather/ 1 PTFE | 223603 | SST | 178898 | SST |

Monark®

Pneumatic 2-Ball Piston Pumps



President/Monark Typical Fluids Handled

- Solventborne and waterborne fluids
- High solids, plural component coatings
- Resins
- Stains, lacquers and varnishes
- Cleaning fluids
- Acid-catalyzed materials
- High solid coatings

Technical Specifications and Ordering Information

| | Part Number | 218763 | 223186 | 224350 | 224343 | 224345 | 218956 | 239327 | 223844 | 223596 | 237958 |
|---------------------|---|---------------|---------------|-----------------|---------------|-----------------|-----------------|------------------|------------------|------------------|------------------|
| PUMP SPECIFICATIONS | Model | 1.5:1 | 2:1 | 5:1 | 5:1 | 5:1 | 5:1 | 15:1 | 15:1 | 23:1 | 23:1 |
| | Output per cycle | 429 cc | 343 cc | 157 cc | 157 cc | 157 cc | 135 cc | 44 cc | 44 cc | 27 cc | 27 cc |
| | Maximum working pressure psi (bar, MPa) | 180 (12, 1.2) | 200 (12, 1.4) | 900 (62, 6.2) | 600 (42, 4.2) | 900 (62, 6.2) | 900 (62, 6.2) | 2700 (186, 18.6) | 2700 (186, 18.6) | 3450 (238, 23.8) | 2760 (190, 19.0) |
| | Maximum air input pressure psi (bar, MPa) | 120 (8, 0.8) | 100 (7, 0.7) | 180 (12.4, 1.2) | 120 (8, 0.8) | 180 (12.4, 1.2) | 180 (12.4, 1.2) | 180 (12.4, 1.2) | 100 (7, 0.7) | 150 (10, 1.0) | 120 (8, 0.8) |
| | Output at 60 CPM gpm (lpm) | 6.8 (25.7) | 5.4 (20.5) | 2.5 (9.4) | 2.5 (9.4) | 2.5 (9.4) | 2.1 (8.1) | 0.7 (2.6) | 0.7 (2.6) | 0.4 (1.6) | 0.4 (1.6) |
| | | | | | | | | | | | |
| INLET/OUTLET | Pump inlet size | 1-1/2 npt(f) | 1-1/2 npt(f) | 1-1/5 (f) | 3/4 npt(f) | 3/4 npt(f) | N/A | 3/4 npt(m) | 3/4 npt(m) | 3/4 npt(m) | 3/4 npt(m) |
| | Pump outlet size | 1 npt(f) | 1 npt(f) | 3/4 npt(f) | 1/2 npt(f) | 1/2 npt(f) | 3/4 npt(f) | 3/8 npt(f) | 3/8 npt(f) | 3/8 npt(f) | 3/8 npt(f) |
| MANUALS | Pump manual assembly | 307653 | 307985 | 308118 | 308116 | 308117 | 307044 | 308739 | 308106 | 307619 | 307619 |
| | Lower manual | 307652 | 307983 | 308118 | 308116 | 308117 | 307044 | 306981 | 308106 | 307619 | 307619 |
| | Motor manual | 307141 | 307043 | 307043 | 307043 | 307043 | 307043 | 307043 | 307043 | 307043 | 307043 |

| | Type | Seals | 1.5:1 | 2:1 | 5:1 | 5:1 | 5:1 | 5:1 | 15:1 | 15:1 | 23:1 | 23:1 |
|--------------------------------------|--------|-----------------|--------|--------|--------|--------|--------|--------|--------|------|--------|--------|
| PUMP CONSTRUCTION CARBON STEEL | Stubby | UHMWPE/Leather | | 223186 | | | | | 239327 | | 223596 | |
| | Drum | UHMWPE/Leather | | 223185 | | | | | | | | |
| | | PTFE | | | | | | 218956 | | | | |
| PUMP CONSTRUCTION STAINLESS STEEL | Stubby | UHMWPE/Leather | 218763 | | | | | | | | | 237958 |
| | | UHMWPE/PTFE | | | | 224343 | | | | | | |
| | | UHMWPE/Neoprene | | | | | 224345 | | | | | |
| | | PTFE/Leather | | | | | | | 223844 | | | |
| | Drum | UHMWPE/PTFE | | | 224350 | | | | | | | |

Accessories

- 206220 Wall Bracket**
For mounting President pump to wall.
- 207365 Wall Bracket**
For mounting a President pump to a wall.
- 205640 Pump Floor Stand**
For mounting a President pump in a suction feed system. Adapter 206108 is required.
- 205700 Pump Floor Stand**
For mounting a President pump in a suction feed system.
- 220581 Pump Floor Stand**
For mounting a President pump in a suction-feed system.
- 194248 Accessory Packing Tool**
Eases insertion of piston assembly into cylinder.
- 168085 Accessory Assembly Tool**
Use to install piston assembly into cylinder (model 239326).
- 171818 Adjustment Tool**
A 0.145 in (3.7 mm) gauge used to ensure proper clearance between the poppets and the piston on the President air motor.
- 207579 Padded Pliers**
For servicing President air motor trip rod.
- 236054 Suction Kit (Monark 1.5:1 and 2:1 only)**
Use to siphon material out of 55 gal (200 l) closed-end drum. Includes siphon tube, bung adapter, 6 ft (1.8 m) nitrile hose, 1-1/2 npt(m) outlet fitting.
- 207484 Siphon Kit, Aluminum (Monark 5:1 only)**
Use to siphon fluid from a 5 gal (18.9 l) pail. Includes nylon suction hose 214960, 3/4 in ID, 3.5 ft (1.1 m) long, 3/4 in npt(f) swivel outlet fitting.
- 208259 Siphon Kit, Carbon Steel (Monark 5:1 only)**
Use to siphon fluid from a 55 gal (200 l) drum. Includes nylon suction hose 214961, 3/4 in ID, 6 ft (1.8 m), 3/4 in npt(f) swivel outlet fitting, bung adapter.
- 208920 Siphon Kit, Aluminum (Monark 5:1 only)**
Use to siphon fluid from a 5 gal (18.9 l) pail. Includes nylon suction hose 170706, 1 in ID, 4 ft (1.2 m) long, 3/4 in npt(f) swivel outlet fitting, inlet strainer.



ABOUT GRACO

PROVEN QUALITY. LEADING TECHNOLOGY.

Founded in 1926, Graco is a world leader in fluid handling systems and components. Graco products move, measure, control, dispense and apply a wide range of fluids and viscous materials used in vehicle lubrication, commercial and industrial settings.

The company's success is based on its unwavering commitment to technical excellence, world-class manufacturing and unparalleled customer service. Working closely with qualified distributors, Graco offers systems, products and technology that set the quality standard in a wide range of fluid handling solutions. Graco provides equipment for spray finishing, protective coating, paint circulation, lubrication, and dispensing sealants and adhesives, along with power application equipment for the contractor industry. Graco's ongoing investment in fluid management and control will continue to provide innovative solutions to a diverse global market.

GRACO LOCATIONS

MAILING ADDRESS

P.O. Box 1441
Minneapolis, MN 55440-1441
Tel: 612-623-6000
Fax: 612-623-6777

AMERICAS

MINNESOTA

Worldwide Headquarters
Graco Inc.
88-11th Avenue N.E.
Minneapolis, MN 55413

EUROPE

BELGIUM

European Headquarters
Graco N.V.
Industrieterrein-Oude Bunders
Slakweidestraat 31
3630 Maasmechelen,
Belgium
Tel: 32 89 770 700
Fax: 32 89 770 777

ASIA PACIFIC

AUSTRALIA

Graco Australia Pty Ltd.
Suite 17, 2 Enterprise Drive
Bundoora, Victoria 3083
Australia
Tel: 61 3 9468 8500
Fax: 61 3 9468 8599

CHINA

Graco Hong Kong Ltd.
Shanghai Representative Office
Building 7
1029 Zhongshan Road South
Huangpu District
Shanghai, 200011
The People's Republic of China
Tel: 86 21 649 50088
Fax: 86 21 649 50077

INDIA

Graco Hong Kong Ltd.
India Liaison Office
Room 443, Augusta Point
Regus Business Centre 53
Gurgaon, Haryana
India 122001
Tel: 91 124 435 4208
Fax: 91 124 435 4001

JAPAN

Graco K.K.
1-27-12 Hayabuchi
Tsuzuki-ku
Yokohama City, Japan 2240025
Tel: 81 45 593 7300
Fax: 81 45 593 7301

KOREA

Graco Korea Inc.
Shinhan Bank Building
4th Floor #1599
Gwanyang-Dong, Dongan-Ku,
Anyang-si, Korea 431-060
Tel: 82 31 476 9400
Fax: 82 31 476 9801

SALES/ DISTRIBUTION/ SERVICE

Call today for product information or to request a demonstration.

877-84GRACO (1-877-844-7226) or visit us at www.graco.com.

Graco Inc. is registered to I.S. EN ISO 9001

North America
Customer Service
800-328-0211
Fax 877-340-6427

REITER otg GmbH Oberflächentechnik

IZ NÖ-Süd • Straße 2c/Objekt M67
A-2355 Wiener Neudorf

Telefon: +43 (0) 22 36 / 6 39 60
Telefax: +43 (0) 22 36 / 6 39 60 - 50

Email: info@reiter-otg.at
Internet: www.reiter-otg.at

